



**BLUMENBECKER**

WIR LIEFERN ANTWORTEN

AUTOMATION TECHNOLOGY

ENGINEERING

INDUSTRIAL TRADE

INDUSTRIAL SERVICE

**TECHNOLOGY**

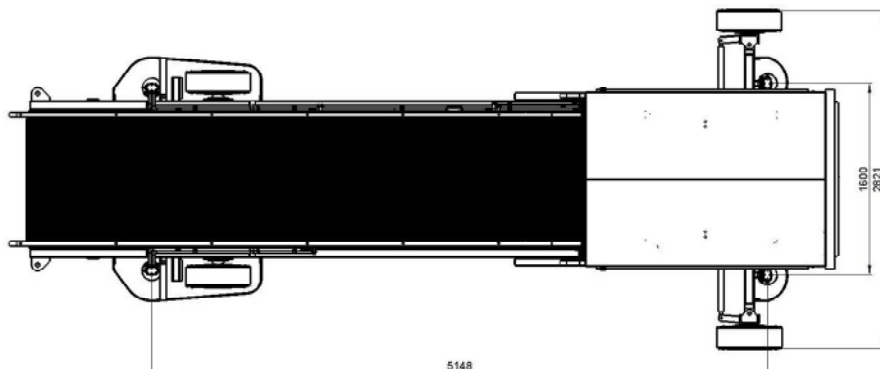
DATA SHEET

## MAINTNANCE STAIRS | WT 22.001-H-P-FF



Image: WT 22.001-H-P-FF

# FAST PLACEMENT SIMPLE OPERATION SAFE WORKING



## Dimensions:

Total length (drawbar below):	approx. 8,700 mm
total length (drawbar above):	approx. 7,950 mm
Total width:	approx. 2,800 mm
Total height min.:	approx. 5,300 mm
Total height max.:	approx. 7,820 mm

## Platform:

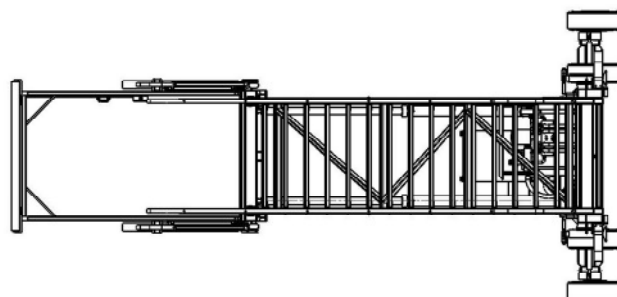
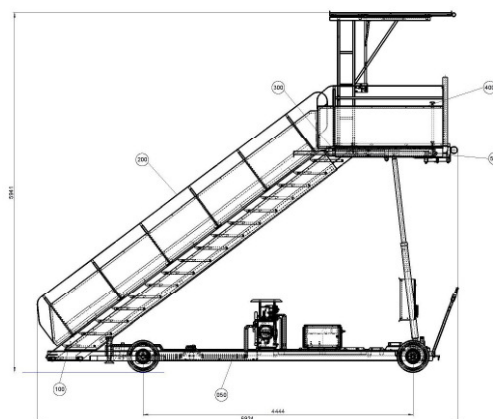
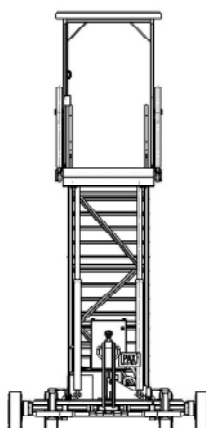
Width:	approx. 1,280 mm
Length:	approx. 1,800 mm
lowest platform height:	approx. 4,370 mm
highest platform height:	approx. 5,480 mm

## Performance:

max. drive speed:	25 km/h
max. wind speed:	40 km/h
Operating voltage:	24 V
Charging voltage:	230 V/24 V
Primary/Secondary:	

## Weight measurements:

Total weight:	approx. 2,600 kg
max. permissible payload:	300 kg/m <sup>2</sup>



## YOUR CONTACT PERSON

Sales airport ground equipment

T: +49 34636 714-0

F: +49 34636 714-29

FOR INTERNET  
WEBSITE

