



BLUMENBECKER

WE DELIVER SOLUTIONS

AUTOMATION

ENGINEERING

INDUSTRIAL TRADE

INDUSTRIAL SERVICES

TECHNOLOGY

DATASHEET

DOLLY | D 05-000-DL-W



Illustration: D 05-000-DL-W

The **Dolly D 05-000-DL-W** from Blumenbecker Technik GmbH was designed for the **transport of transport** and freight containers. The sturdy steel construction has a maximum permissible **payload of ca. 1800 kg**. The entire loading area is equipped with **3 roller conveyors and stops**.

Furthermore the Dolly D 05-000-DL-W is functionally designed for **one-man-operation** and can be pulled in combination of a maximum of 4 pieces. In addition, it is **easy to repair** and can be supplied **galvanized or painted in RAL-colors**.

QUICK TO SET UP EASY TO USE SAFE TO WORK



Overall length (drawbar at the top)

ca. 3200 mm

Overall length (drawbar at the bottom)

ca. 3920 mm

Width

1680 mm

Height

ca. 500 mm

Height (upper edge off the idler)

ca. 518 mm +/- 4mm

Loading area (between stops)

ca. 1545 mm / 1200 mm

Length

ca. 2495 mm

Wheelbase

ca. 1650 mm

Ground clearance

ca. 180 mm

smallest turning circle diameter. (outside)

ca. 3500 mm

max. travel speed

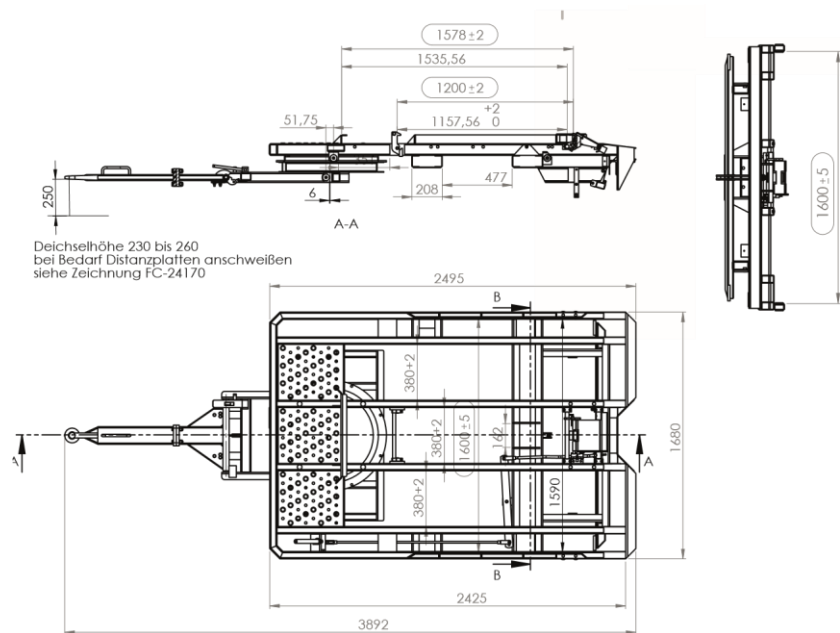
ca. 25 km/h

Payload

1800 kg

Dead load

ca. 549 kg



YOUR CONTACT

Sales of airport ground support
equipment

T: +49 34636 714-0

F: +49 34636 714-29

TO THE WEBSITE

